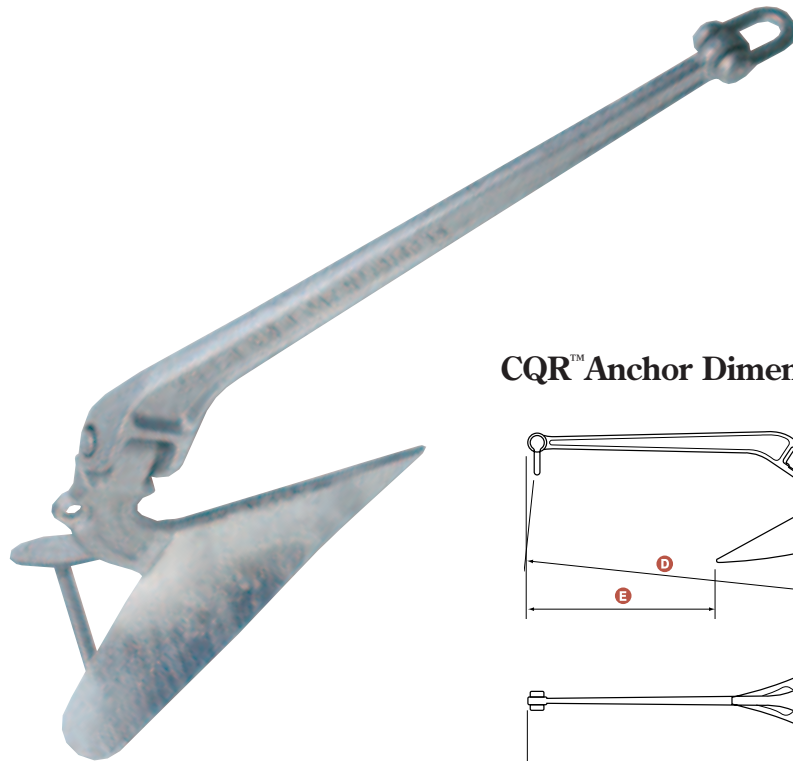


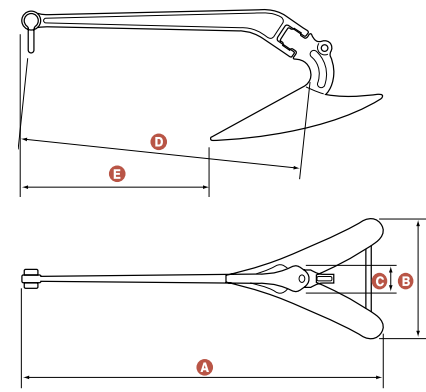
CQR™ Anchors

The performance of the CQR™ anchor is now legendary. The original drop-forged construction of CQR™ anchor increases its strength and reliability under load which is why genuine CQR™ anchors do not break. The hinged shank delivers consistent setting and holding even in the very worst conditions, whatever the changes in wind and current. The CQR™ anchor has Lloyds Registered Approval as a high Holding Power anchor.

All CQR™ anchors are “guaranteed for life against breakage”. Lloyd’s Test Certification is available for individual CQR™ anchors by arrangement



CQR™ Anchor Dimensions



CQR™ Anchor Specifications

Galvanised Part Number	Stainless Steel Number	Description	Anchor Weight		Recommended Chain Size		A		B		C		D		E	
			kg	lb	mm	in	mm	in	mm	in	mm	in	mm	in		
0056503		Drop Forged	7	15	6	1/4	660	26	235	9 1/4	55	2 1/8	552	21 3/4	330	13
0056504		Drop Forged	9	20	8	5/16	775	30 1/2	246	9 5/8	60	2 3/8	647	25 1/2	370	14 1/2
0056505		Drop Forged	11	25	8	5/16	825	32 1/2	282	11 1/8	65	2 1/2	677	26 5/8	390	15 3/8
0056506		Drop Forged	16	35	8	5/16	981	38 5/8	328	13	76	3	776	30 1/2	513	20 1/8
0056507		Drop Forged	20	44	10	3/8	1037	40 7/8	355	14	83	3 1/4	828	32 1/2	528	20 3/4
0056508	0056205	Drop Forged	27	60	10	3/8	1117	44	390	15 3/8	89	3 1/2	913	36	555	21 7/8
0056509	0056206	Drop Forged	34	75	12	1/2	1190	46 7/8	412	16 1/4	94	3 3/4	978	38 1/2	570	22 1/2
0056510	0056207	Fabricated	48	105			1196	47	485	19	120	4 3/4	843	33 1/8	530	20 7/8
0056511	0056208	Fabricated	66	140			1337	52 5/8	537	21 1/8	128	5	933	36 3/4	583	23
0056513	0056209	Fabricated	81	180			1450	57	582	23	138	5 1/2	1010	39 3/4	634	25
0056515	0056210	Fabricated	108	240			1560	61 1/2	641	25 1/4	146	5 3/4	1105	43 1/2	694	27 3/8
0056530	0056211	Fabricated	137	300			1682	66 1/4	693	27 1/4	154	6	1194	47	746	29 3/8
0056540		Fabricated	182	400			1865	73 1/2	763	30	164	6 1/2	1319	52	828	32 1/2
0056550		Fabricated	227	500			2109	83	825	32 1/2	174	6 7/8	1430	56 1/4	875	34 1/2
0056560		Fabricated	273	600			2138	84 1/8	870	34 1/4	184	7 1/4	1511	59 1/2	949	37 3/8
0056570		Fabricated	318	700			2256	88 7/8	900	35 1/2	197	7 3/4	1589	62 1/2	996	39 1/4

Note: In sizes of 105lb (48kg) and above where drop forgings are not practicable, similar sections are welded together from steel plate to form the necessary rigid construction

CQR™ Anchor Selection Guide

Anchor Weight	Size	Boat Length Overall								
		m	6	9.2	12.2	15.2	18.3	21.3	24.4	27.4
kg	lb	ft	20	30	40	50	60	70	80	90
CQR™	7 15		●●●●●							
CQR™	9 20		●●●●●●							
CQR™	11 25			●●●●●●●						
CQR™	16 35				●●●●●●●●					
CQR™	20 44					●●●●●●●●●				
CQR™	27 60						●●●●●●●●●●			
CQR™	34 75							●●●●●●●●●●●		

Selecting Your Anchor

Use this chart to select the correct anchor size for your boat. Two factors need to be considered; the overall hull length and the boat's displacement – whether it is light, medium or heavy. Boats of medium & heavy displacement, at the upper limits of anchor performance, should select the next model up. The information given here is intended to be a guide only. If in doubt about the correct size of anchor for your boat, please send full details of your craft and the installation to your nearest Lewmar office.